



DRIVE IN RETROFIT

Tired of your drive in rack? Too many SKU's and not enough slots to store the product? Don't want to buy all new rack? Try Advance's patented drive in retrofit pushback systems. Advance's unique drive in retrofit systems will fit into most existing drive in systems resulting in a significant increase in selectivity and storage density. With Advance's pushback system, you can now access each level of the system individually, increasing your SKU selectivity by up to 5 times.

Advance's unique system rests on top of the existing drive in rails and is either bolted or welded to the system at the front position. Reconfiguration of the existing system is rarely needed.

See example of 4 deep Drive In Retrofit pictured. 2 – 6 deep systems are also available.



Corporate Headquarters

5702 Bolsa Ave., Suite 150
Huntington Beach, CA 92649
Phone: 714.902.9000
Fax: 714.902.9001
asp@advstore.com

www.advancestorage.com

1.888.478.7422

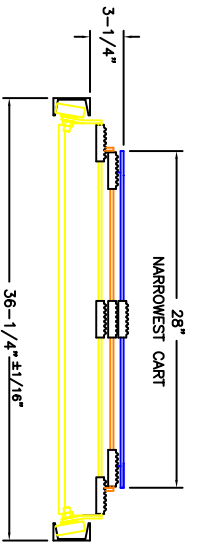
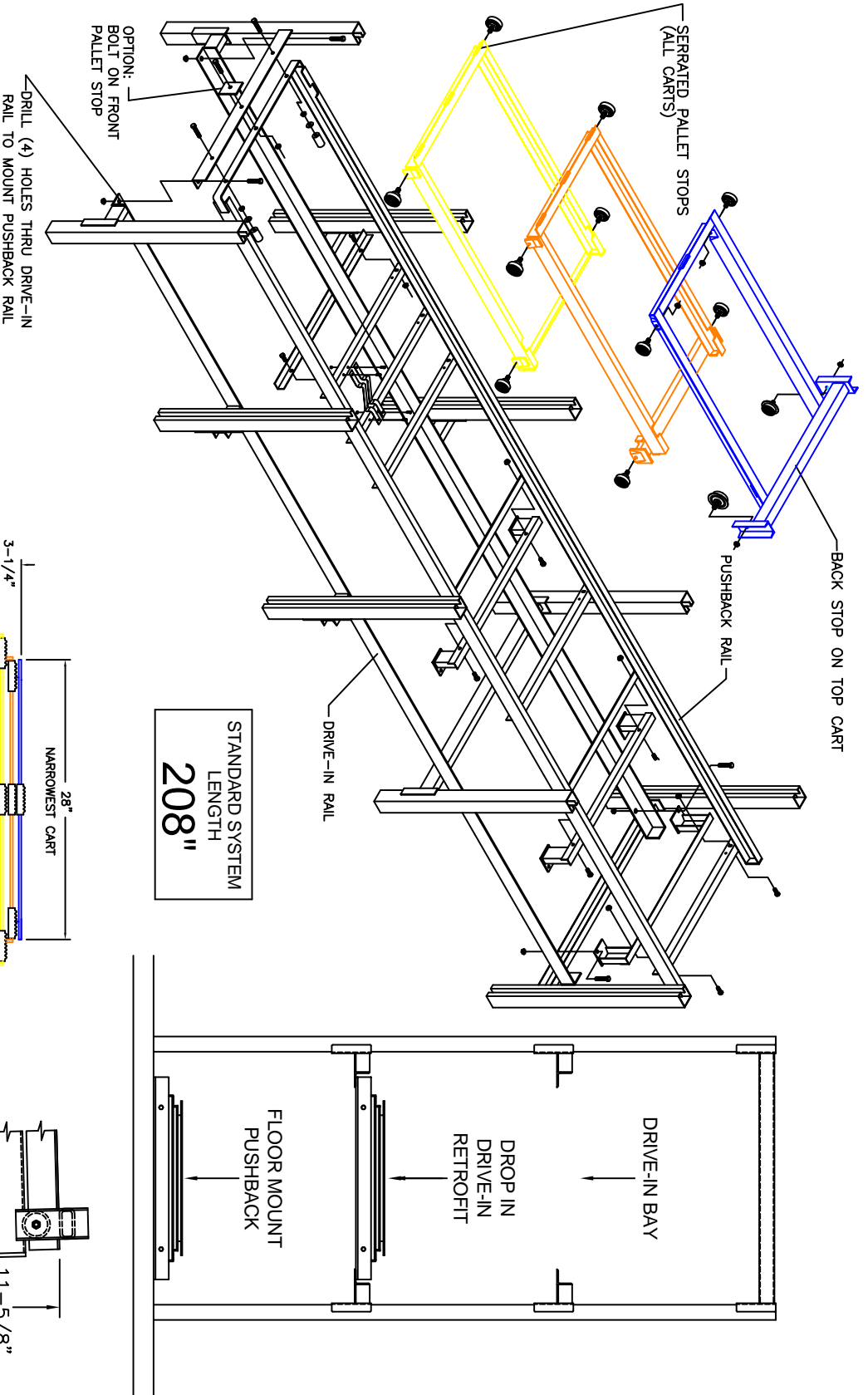
Eastern Regional Office

275 North Park Blvd.
Cedartown, GA 30125
Phone: 770.748.4860
Fax: 770.748.4737

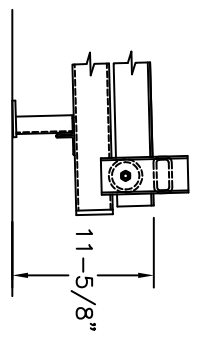
4 Deep LoPro Drive-In Retrofit Pushback System

PART NO.: PBL4-ABDE-US-D

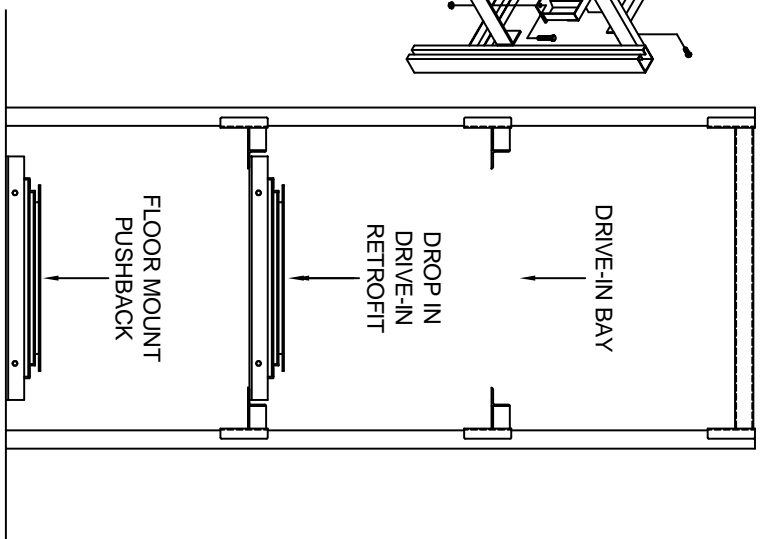
M-Series



STANDARD SECTION OF 4 DEEP PUSHBACK SYSTEM



STANDARD HEIGHT TOP OF CART AT REAR



A D V A N C E
STORAGE PRODUCTS
 A division of JCM Industries, Inc.

Huntington Beach, CA 92649 (714) 902-9000 Fax: (714) 902-9001